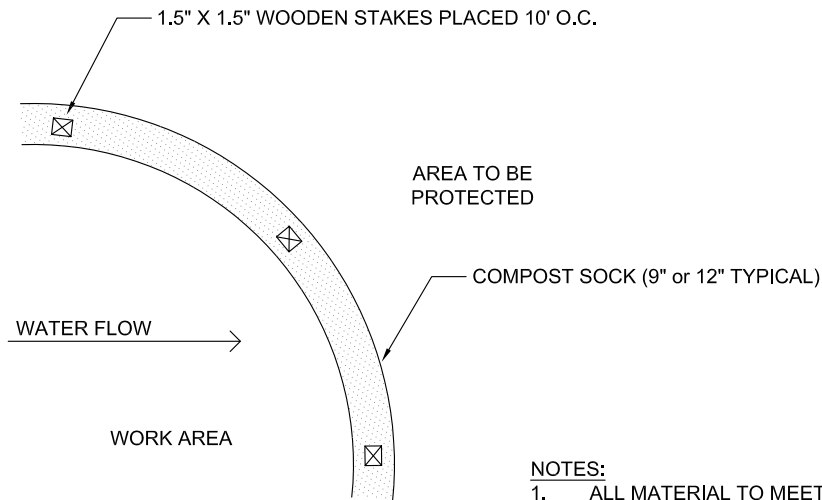


SECTION NTS



NOTES:

1. ALL MATERIAL TO MEET SPECIFICATIONS.
2. COMPOST SOCKS FILL TO MEET APPLICATION REQUIREMENTS.
3. FILTER MEDIA TO BE DISPERSED ON SITE, AS DETERMINED BY ENGINEER.

PLAN NTS

Compost Socks for Sediment Control

NTS