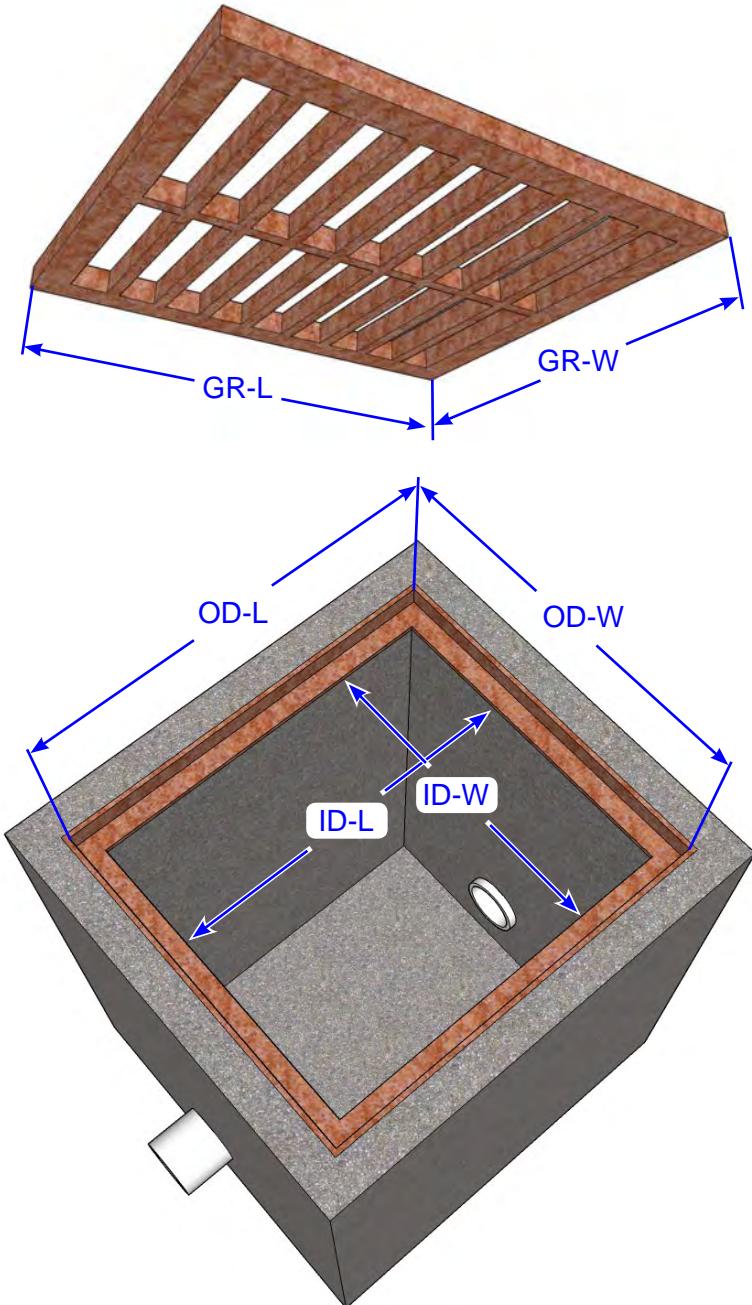


StormExx™

CATCH BASIN FILTER SYSTEM

Sizing Guide - Four Sided Support

The following information is required for proper installation of the StormExx™ catch basin insert. Please measure all required dimensions of grate and catch basin.



Company: _____

Name: _____

Phone: _____

Email: _____

GR-L: Grate length _____

GR-W: Grate width _____

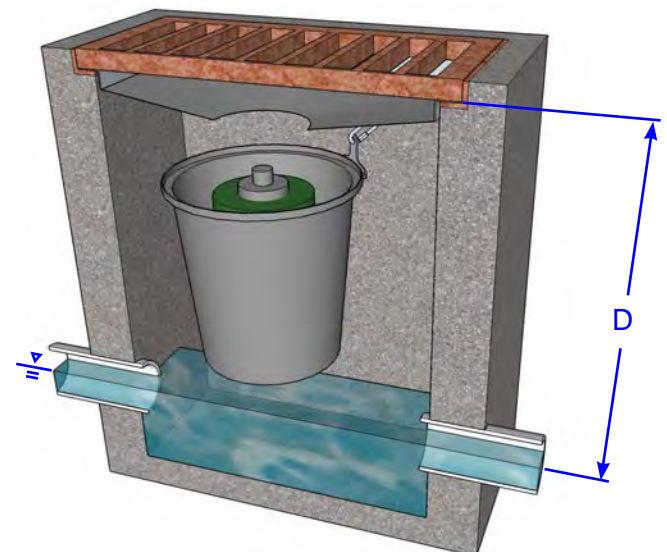
OD-L: Outside length of lip _____

OD-W: Outside width of lip _____

ID-L: Inside length of opening _____

ID-W: Inside width of opening _____

D: Depth of catch basin _____

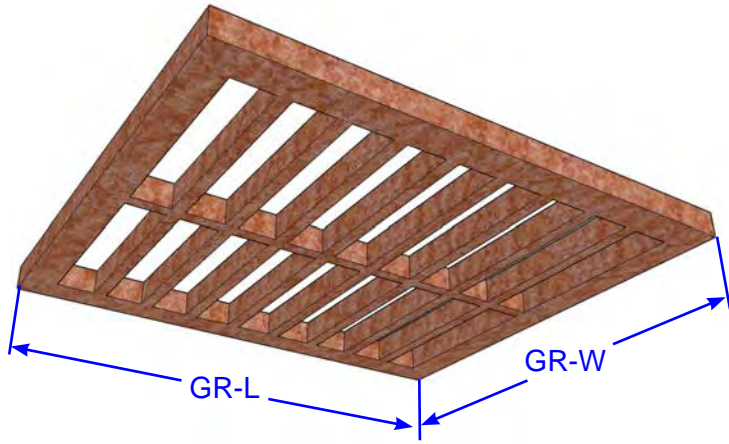


StormExx™

CATCH BASIN FILTER SYSTEM

Sizing Guide - Two Sided Support

The following information is required for proper installation of the StormExx™ catch basin insert. Please measure all required dimensions of grate and catch basin.



Company: _____

Name: _____

Phone: _____

Email: _____

OD-L: Outside length of lip _____

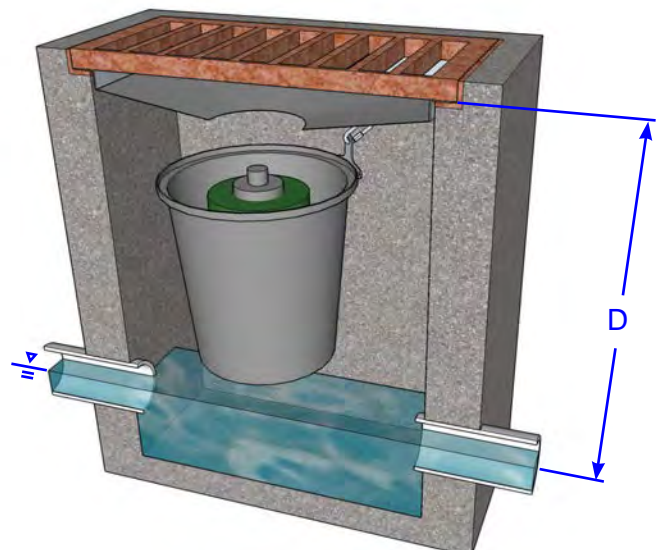
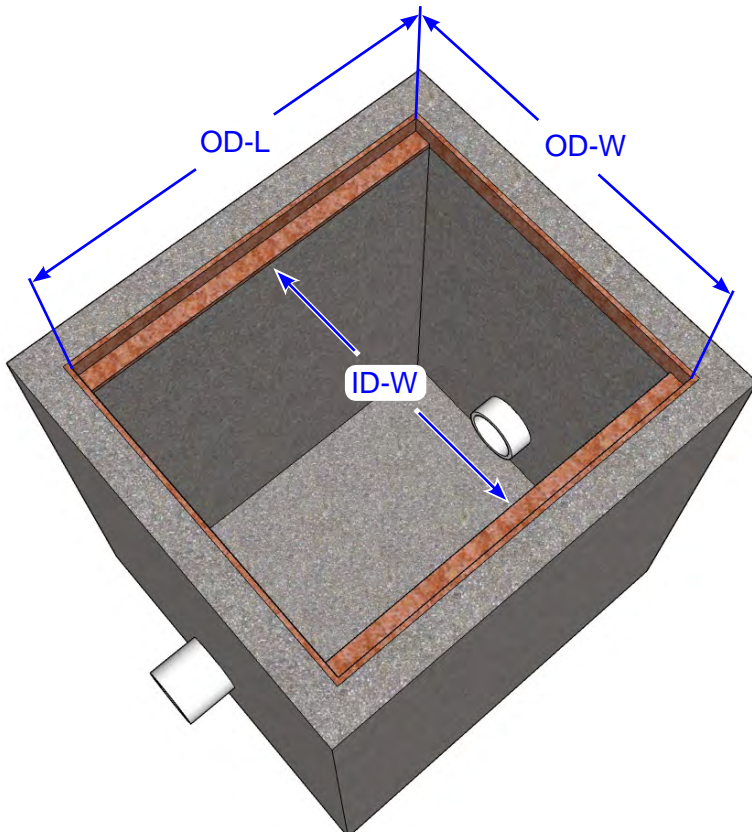
OD-W: Outside width of lip _____

ID-W: Inside width of opening _____

GR-L: Grate length _____

GR-W: Grate width _____

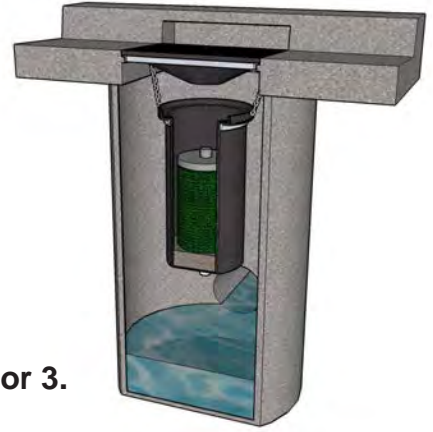
D: Depth of catch basin _____



StormExx™

CATCH BASIN FILTER SYSTEM

Sizing Guide - Round Grate Support



The following information is required for proper installation of the StormExx™ catch basin insert. Indicate whether grate style is 1,2 or 3. Then measure all required dimensions of grate and catch basin.

Company: _____

Name: _____

Phone: _____

Email: _____

Cover Style (1, 2 or 3): _____

OD: Outside diameter of lip _____

(For tapered frames measure smallest diameter at base of frame.)

ID: Inside diameter of opening _____

A: Drop ring diameter _____

(Measure largest diameter at top of ring. Does not apply to style 1 covers)

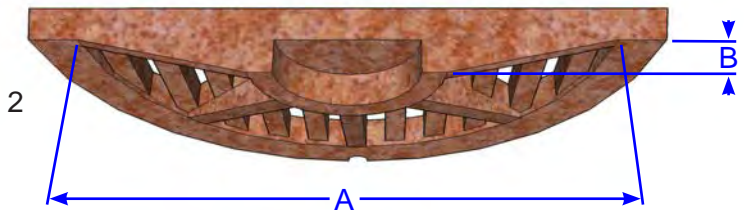
B: Drop ring depth _____

(Does not apply to style 1 covers)

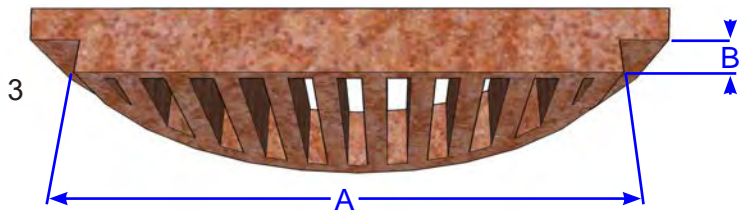
C: Depth of catch basin _____



Flat Grate



Tapered Drop Ring



Square Drop Ring

