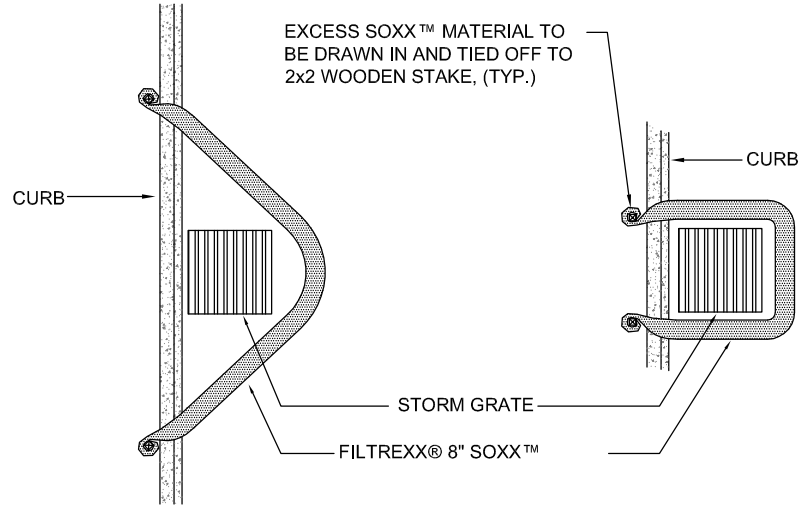
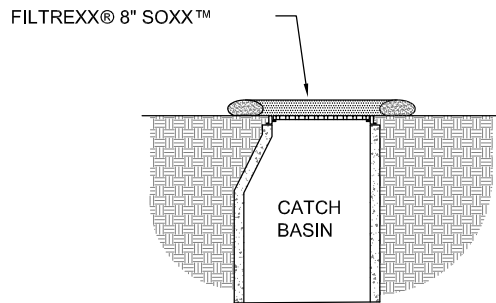


DRAIN INLET PLAN

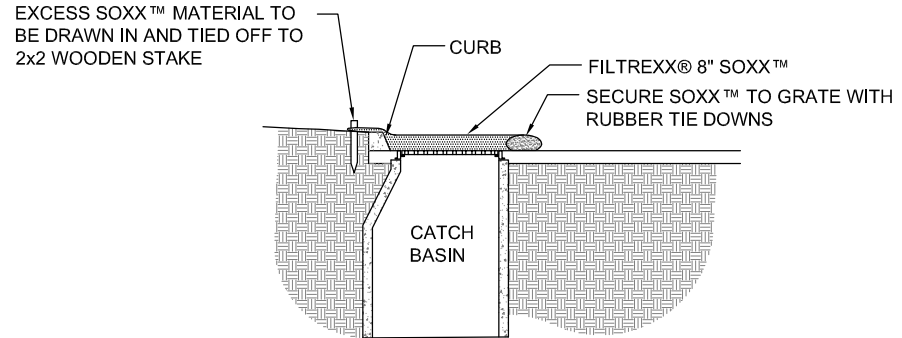


CURBSIDE OPTION "A" PLAN

CURBSIDE OPTION "B" PLAN



DRAIN INLET SECTION



CURBSIDE SECTION

NOTES:

1. ALL MATERIAL TO MEET FILTREXX® SPECIFICATIONS.
2. FILTER MEDIA™ FILL TO MEET APPLICATION REQUIREMENTS.
3. COMPOST MATERIAL TO BE DISPERSED ON SITE, AS DETERMINED BY ENGINEER.

FILTREXX® INLET PROTECTION

NTS