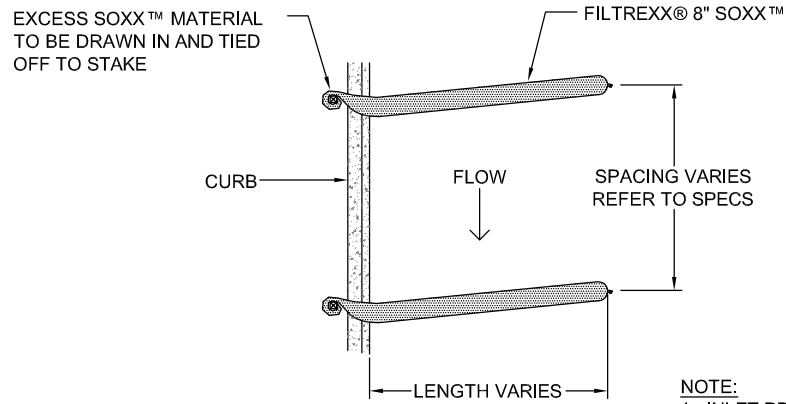


SECTION NTS



PLAN NTS

NOTE:
 1. INLET PROTECTION SHOULD NOT BE PLACED DIRECTLY UPSLOPE FROM DRAIN INLETS

FILTREXX® INLET PROTECTION - CURB CONTAINMENT

NTS